

Subject: FPDE FlexFusion Team Replacement Operation Panel Locking Mechanism

Date: 06/08/21

Region: Global

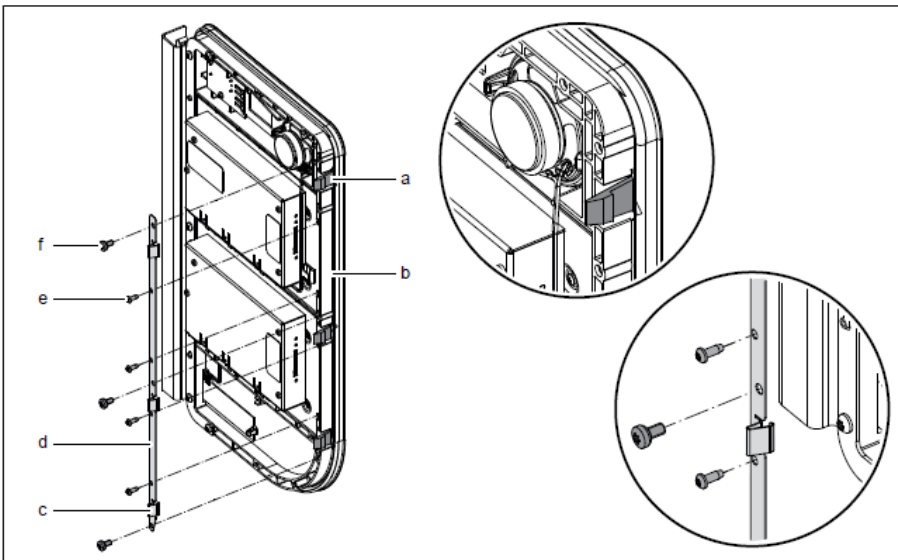
Models Affected: FPDE FlexFusion Team

Summary

FPDE FlexFusion Team now has a replacement operation panel locking mechanism available. The replacement operation panel locking mechanism should be used by servicers to repair a cracked locking clip. Previously, service providers were required to replace the complete operation panel if a locking clip failed.

Procedure

Refer to the attached document 10013401-0AMAE.pdf for detailed service instructions.



Part Numbers

Order the following kit.

Model	Part #	Description	Stocking Level	Qty.
FPDE	MM10030071	Operation Panel Locking Mechanism		1

Warranty

Kit includes a 90-day parts warranty from the date of install. Control panels will no longer be covered due to locking clip failures.

Questions

For further information, please contact Technical Services using one of the following options:

Email: technicalservices@hennypenny.com

Call:

- U.S. and Canada: +1-800-417-8405
- Global: +1-937-456-8405

Text: +1-937-456-8405

[Live chat](#) via the Henny Penny website, extranet, or customer support website.